



How to measure Grip length and size on Panelfasterner/Dzus

If you are trying to match existing buttons on your application, follow this illustrations to determine the correct measurement. Grip length is measured from the rim surface in contact with the surface of the panel (A) and the actual fastened point of the spring (B), Diameter is (C).

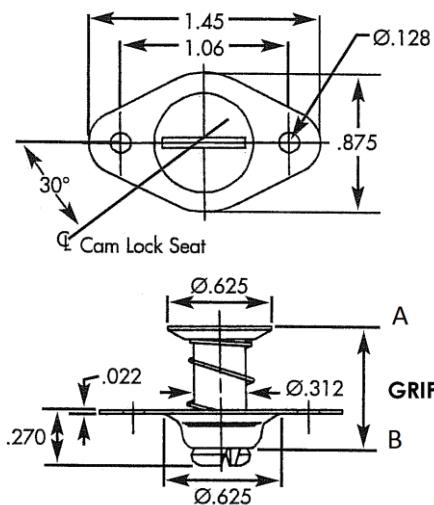


When you measurement Self-Eject Dzus, it is the same.

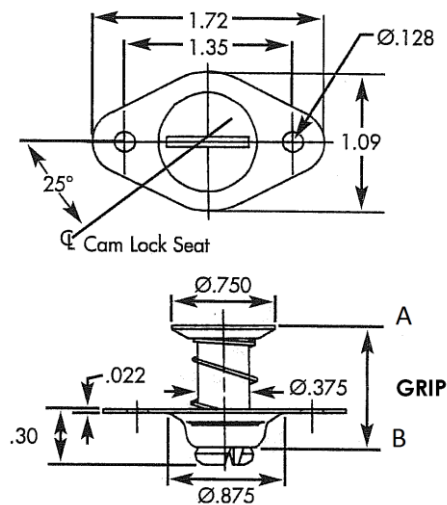
Grip length is from surface of the panel (A) and the actual fastened point of the spring (B), Diameter is (C).

Here you also see other measurement on Self-Eject.

5 Series



6 Series



When you measure a spring (H), it is from the tab / Weldplate to the actual fastened point of the spring (B).

